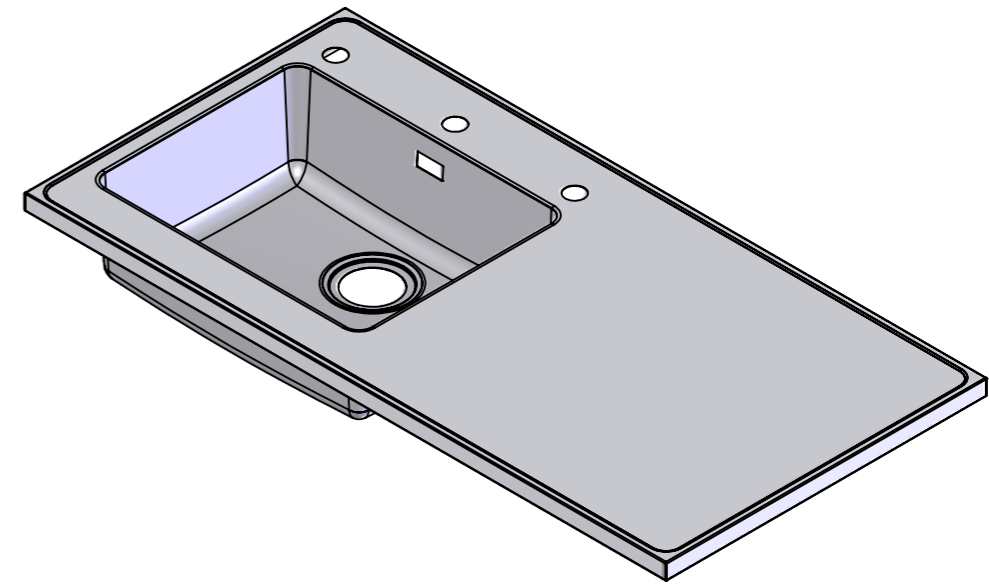
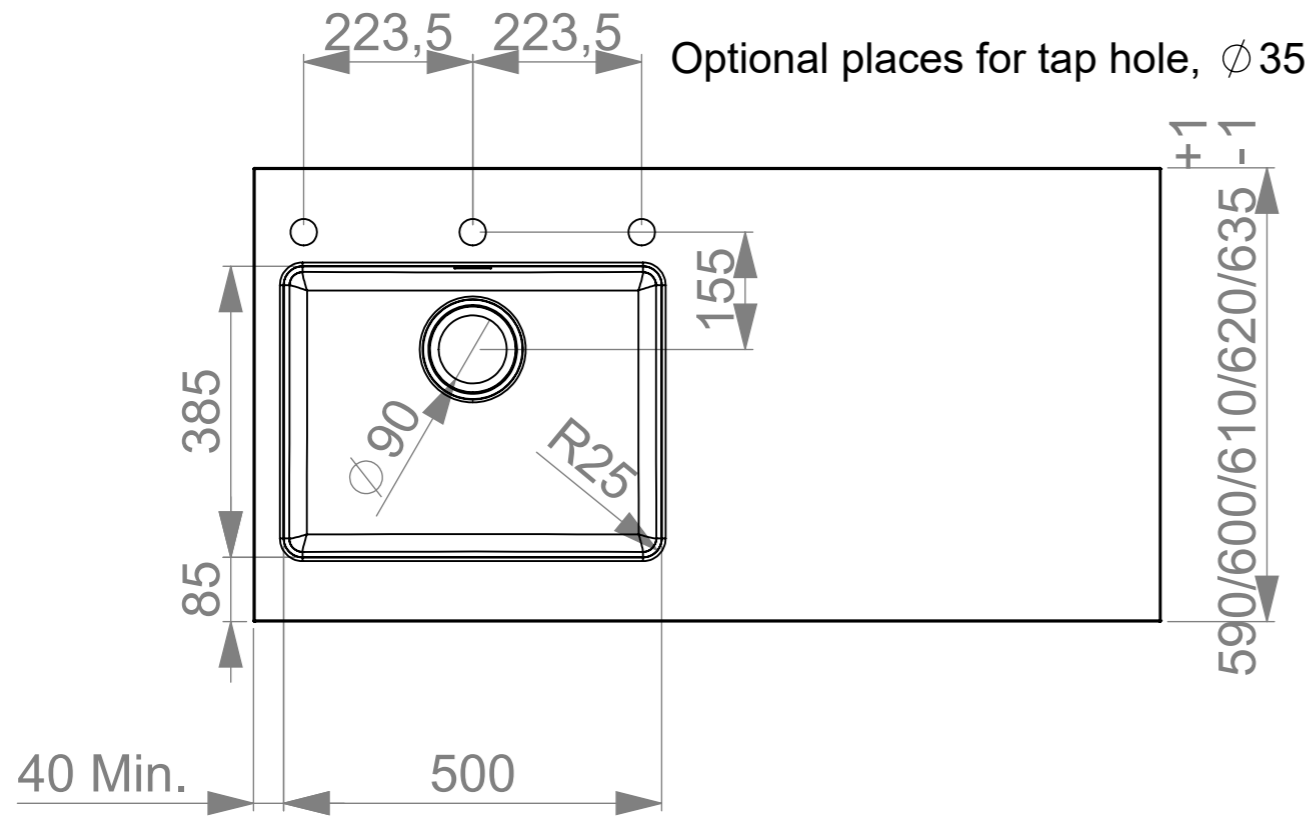
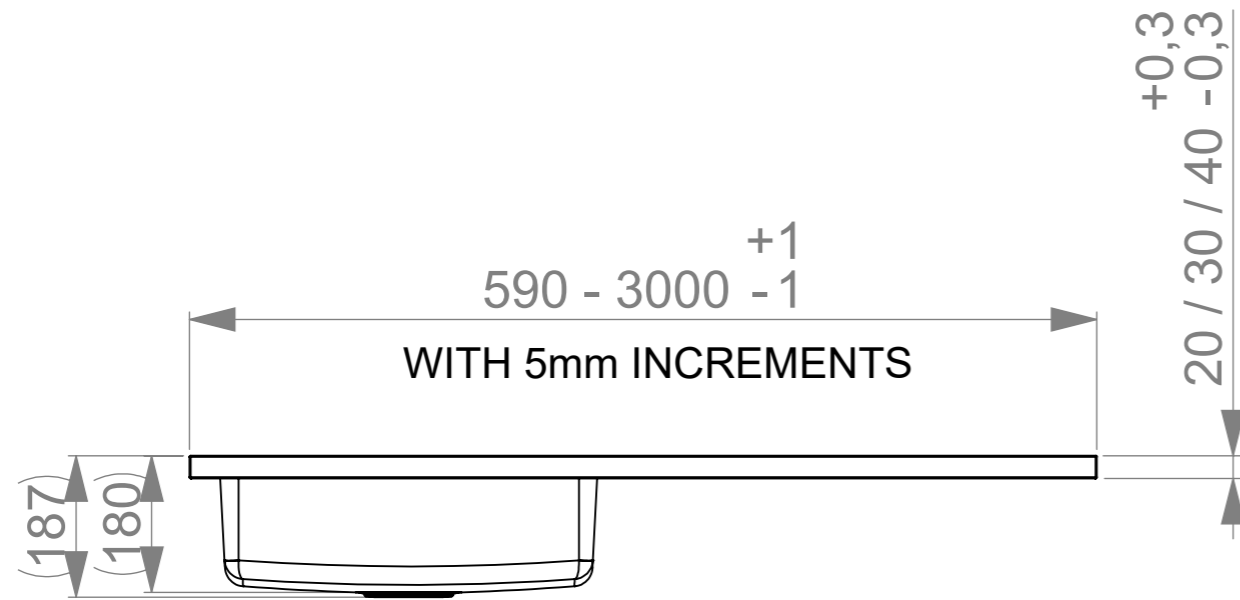


MAIN DIMENSIONS



Change description
Under construction upgraded

Date
27.05.2020

Designed by
VS

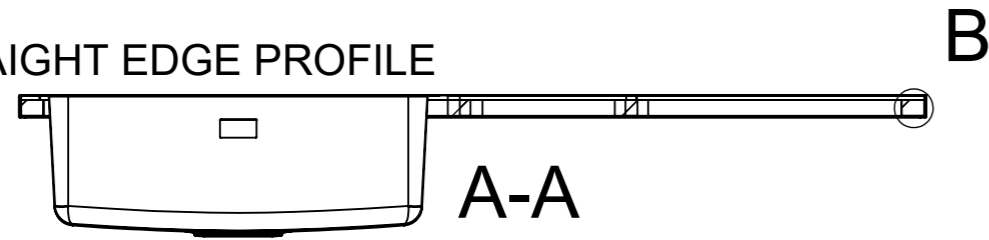
	Mass	12.15 kg	General tolerance	Designed by	VS	Date	22.11.2019		
	Size	A3	Scale	1:10	Item	Approved by	JP	Date	30.12.2019
 www.stala.com	Description			K SEVEN		Drawing number		Sheet/sheets	
	Technical Data Sheet			19035		1/5		Rev	

Change description
Under construction upgraded

Date
27.05.2020
Designed by
VS

EDGE PROFILES

STRAIGHT EDGE PROFILE

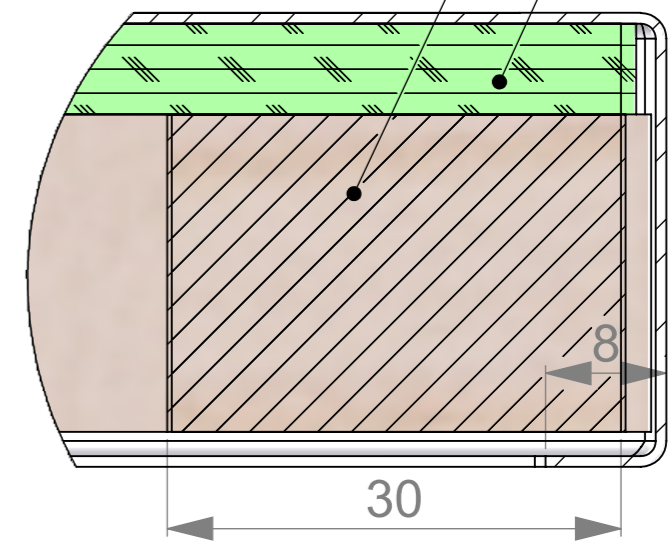


A-A

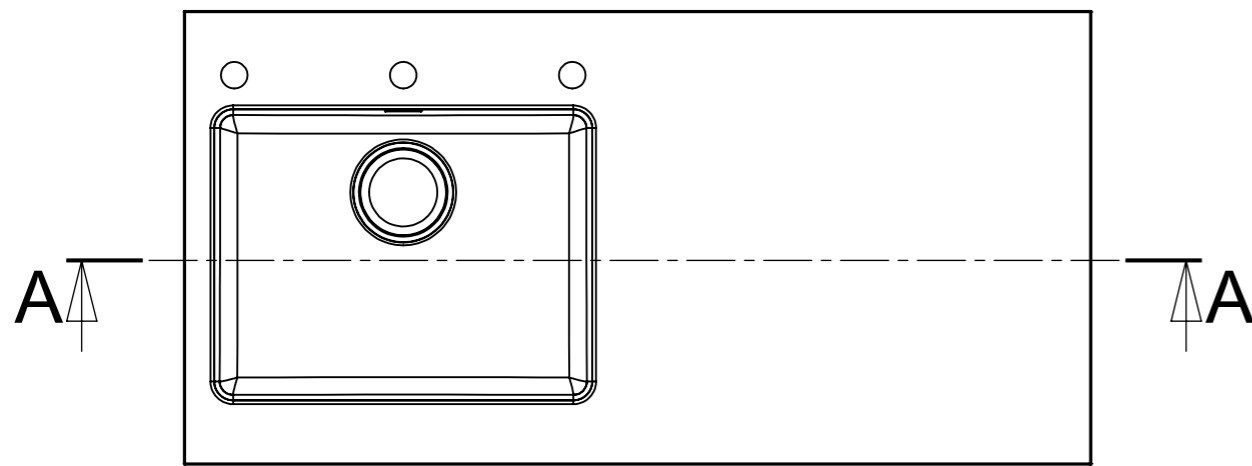
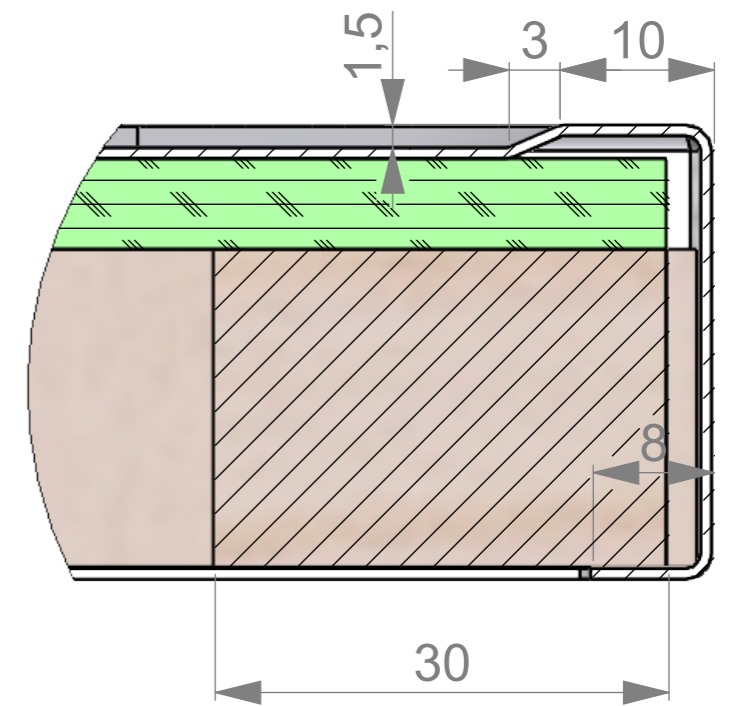
B

B (2 : 1)

6 mm construction sheet
construction list



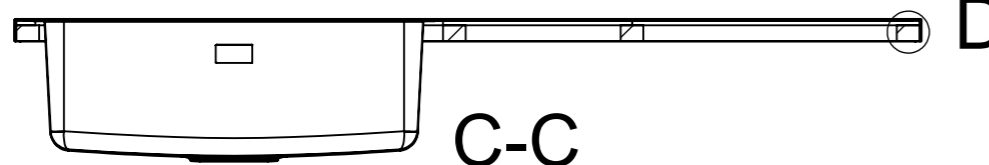
D (2 : 1)



A

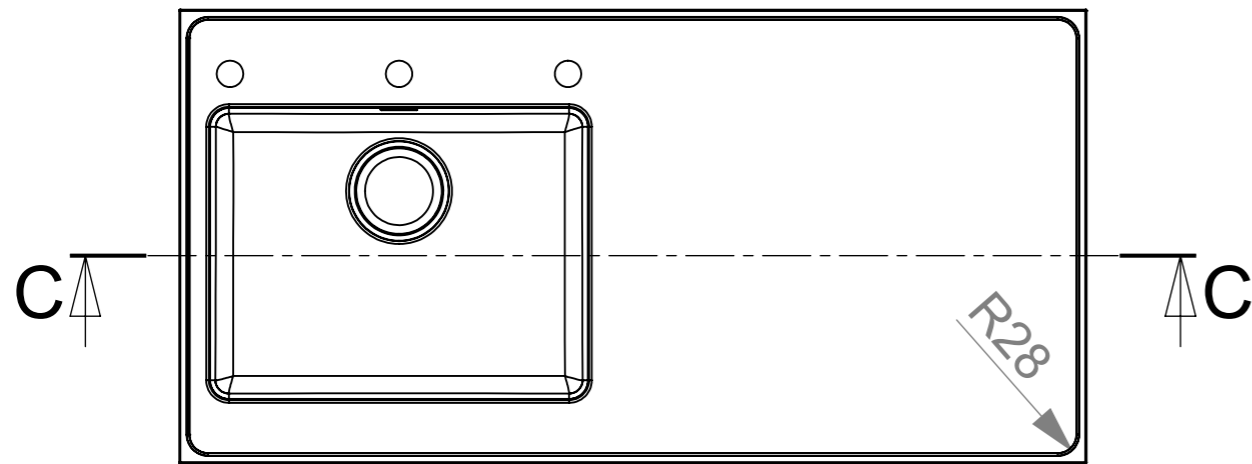
A

RAISED EDGE PROFILE



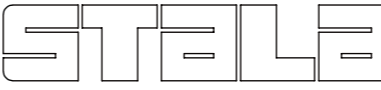
C-C

D



C

C

 www.stala.com	Mass 12.15 kg	General tolerance	Designed by VS	Date 22.11.2019
	Size A3		Scale 1:10	Approved by JP
Description K SEVEN		Drawing number 19035	Sheet/sheets 2/5	
Technical Data Sheet			Rev B	

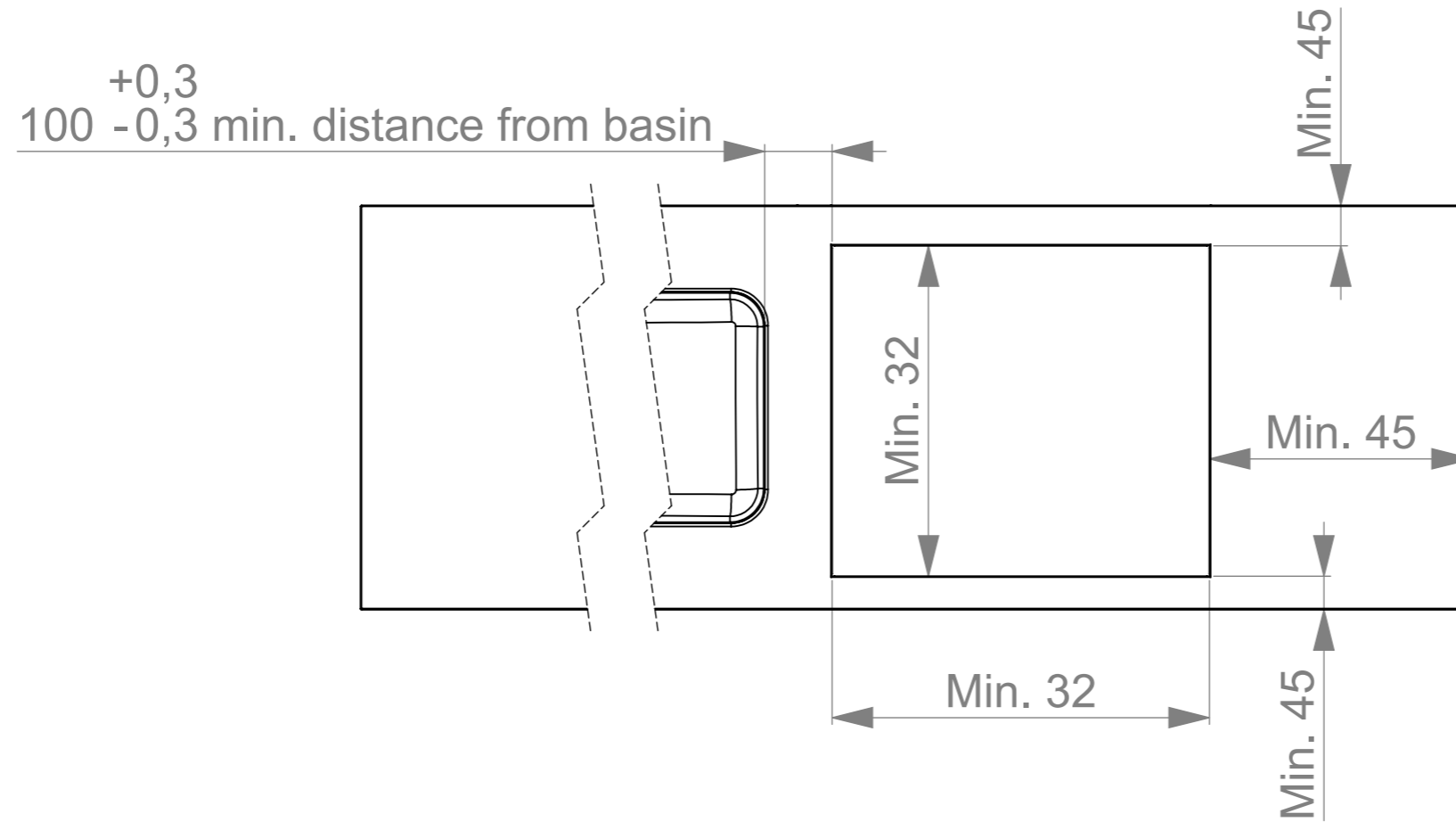
Change description
Under construction upgraded


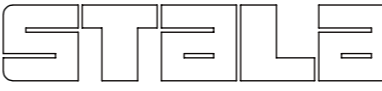
Date
27.05.2020

Designed by
VS

HOB CUTOUT

PRINCIPLE MEASUREMENTS FOR OPTIONAL HOB CUTOUT

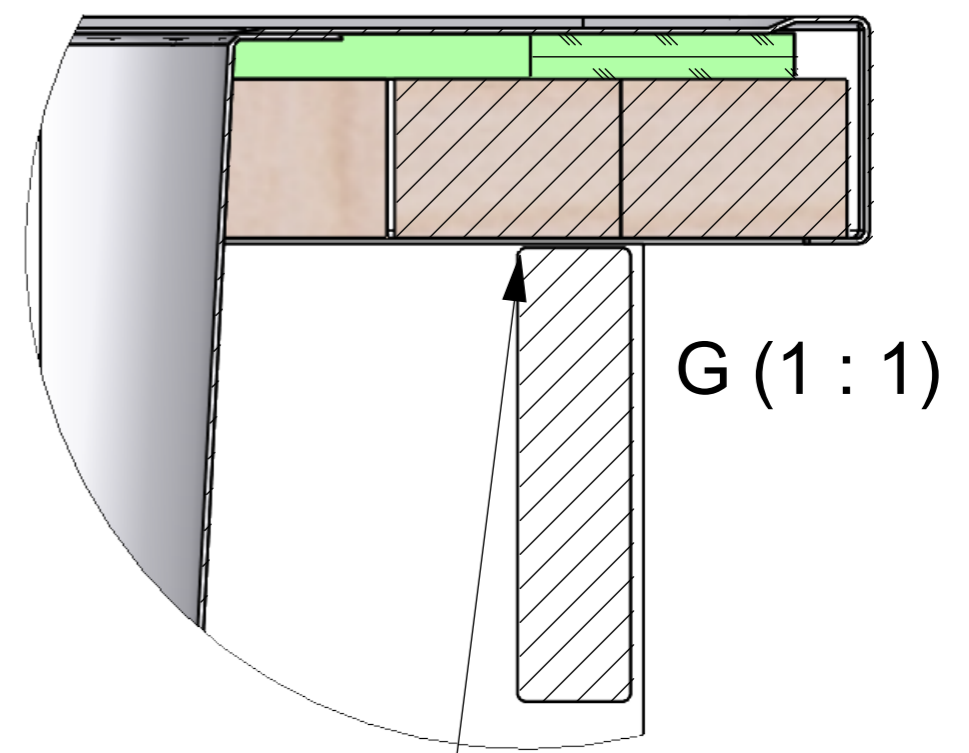
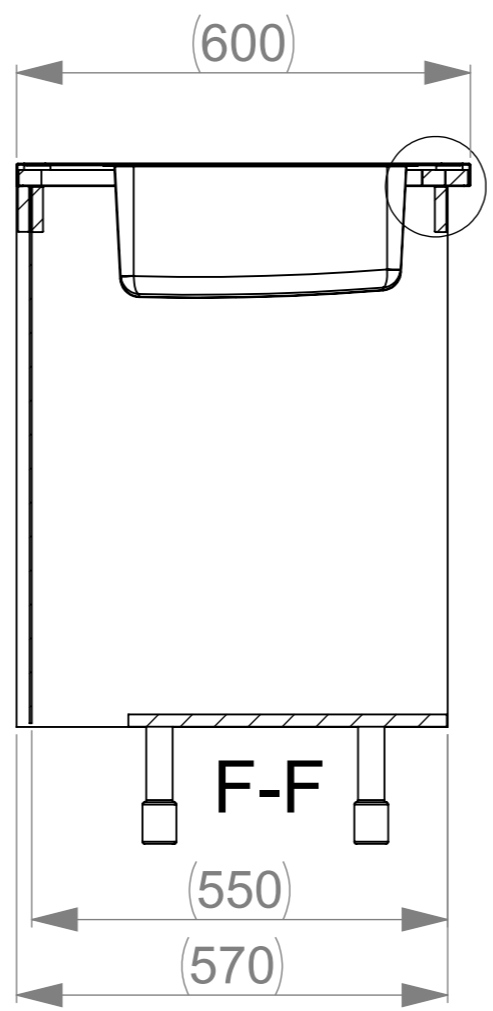
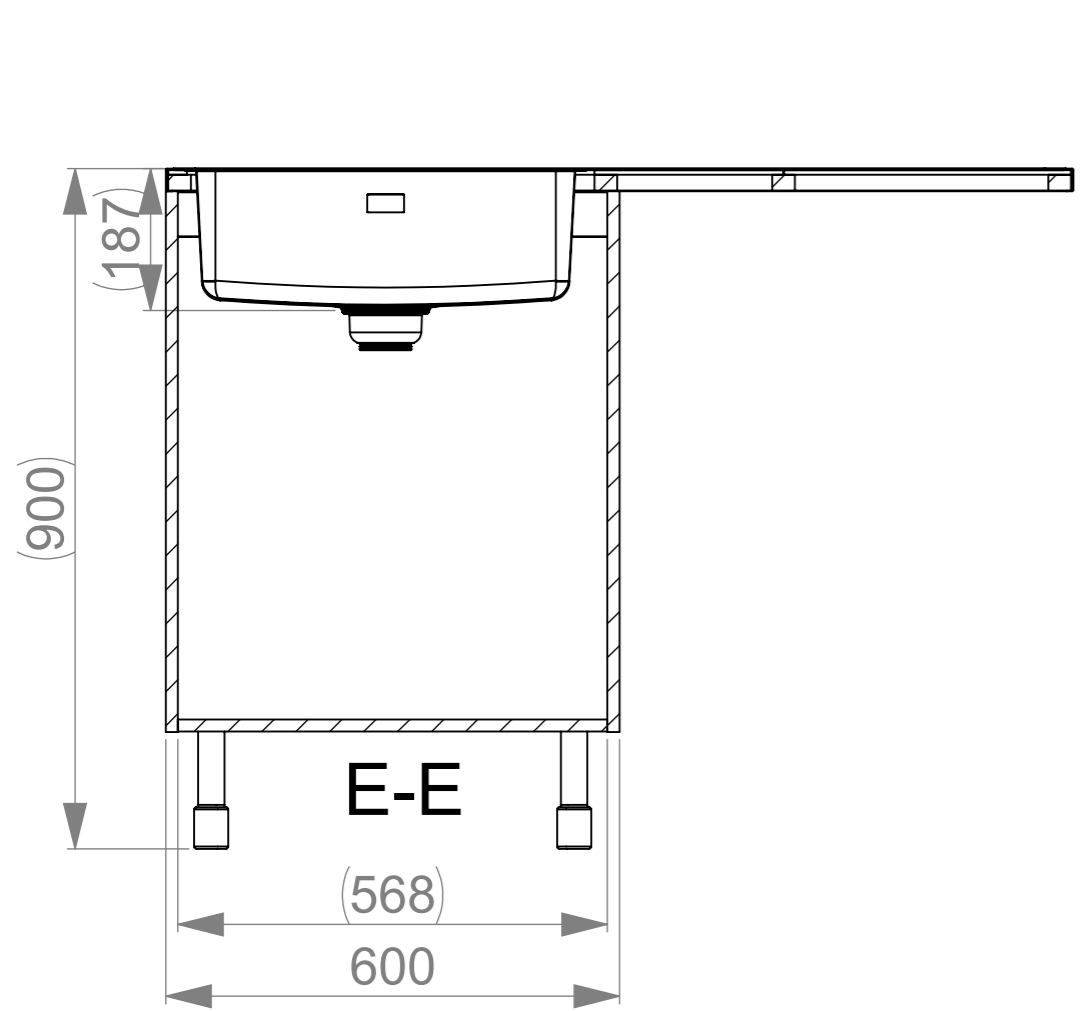


	Mass 9.51 kg	General tolerance	Designed by VS	Date 22.11.2019
	Size A3		Scale 1:10	Approved by JP
 www.stala.com	Description K SEVEN Technical Data Sheet		Drawing number 19035	Sheet/sheets 3/5
				Rev B

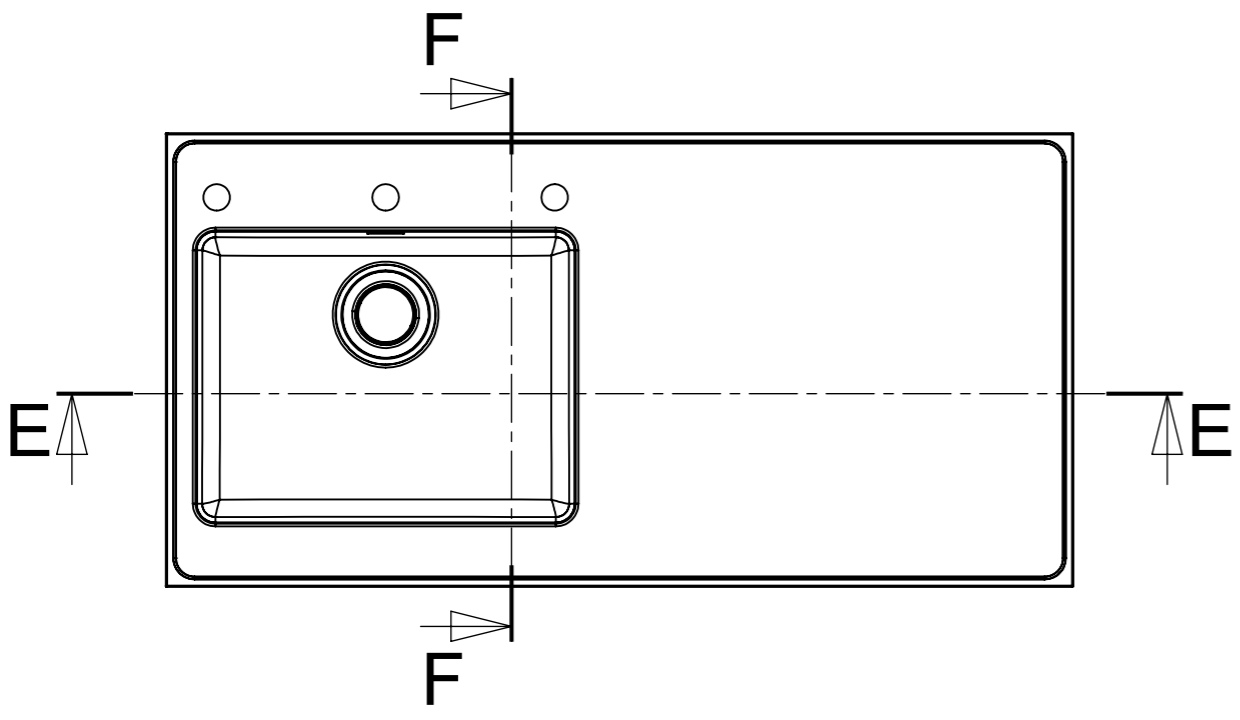
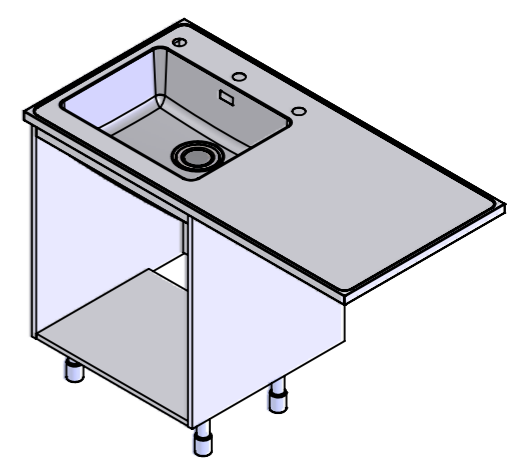
Change description
Under construction upgraded

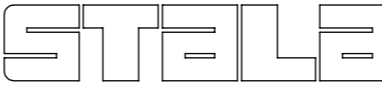
Date
27.05.2020
Designed by
VS

SPACE REQUIREMENTS



Installation to cabin with appropriate screws



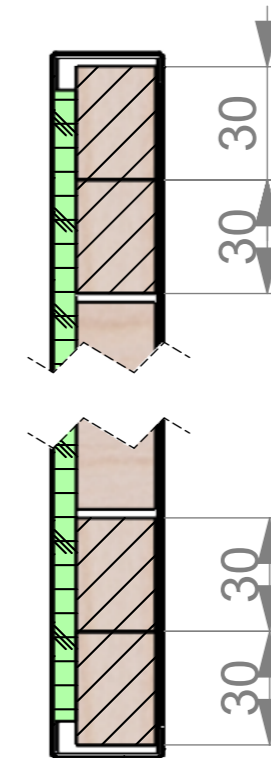
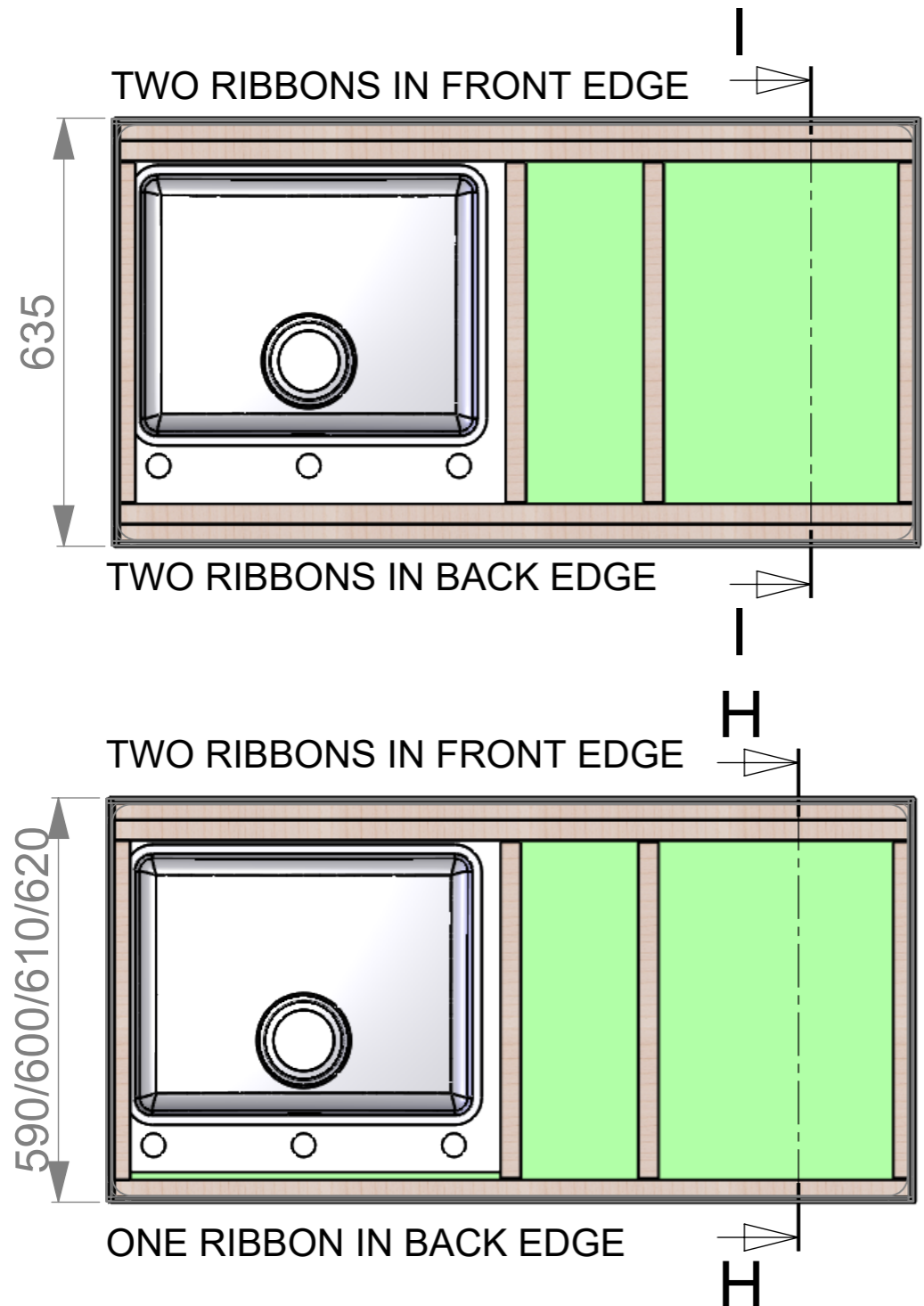
 www.stala.com	Mass 28.30 kg	General tolerance Item Description K SEVEN Technical Data Sheet	Designed by VS	Date 22.11.2019
	Size A3		Scale 1:10	Approved by JP
			Drawing number 19035	Sheet/sheets 4/5
			Rev B	

Change description
Under construction upgraded

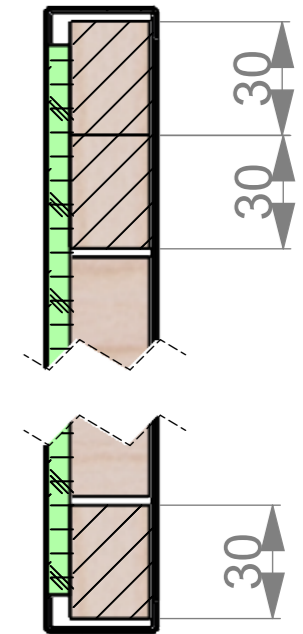
Date
27.05.2020
Designed by
VS

UNDER CONSTRUCTION

PRINCIPLE OF UNDER CONSTRUCTION: RIBBONS IN FRONT EDGE AND BACK EDGE



I-I (1 : 2)



H-H (1 : 2)

	Mass	7.76 kg	General tolerance	Designed by	VS	Date	22.11.2019	
	Size	A3		Scale	1:10	Item	Approved by	JP
 www.stala.com	Description			Drawing number		Sheet/sheets		
	K SEVEN Technical Data Sheet			19035		5/5		
						Rev	B	