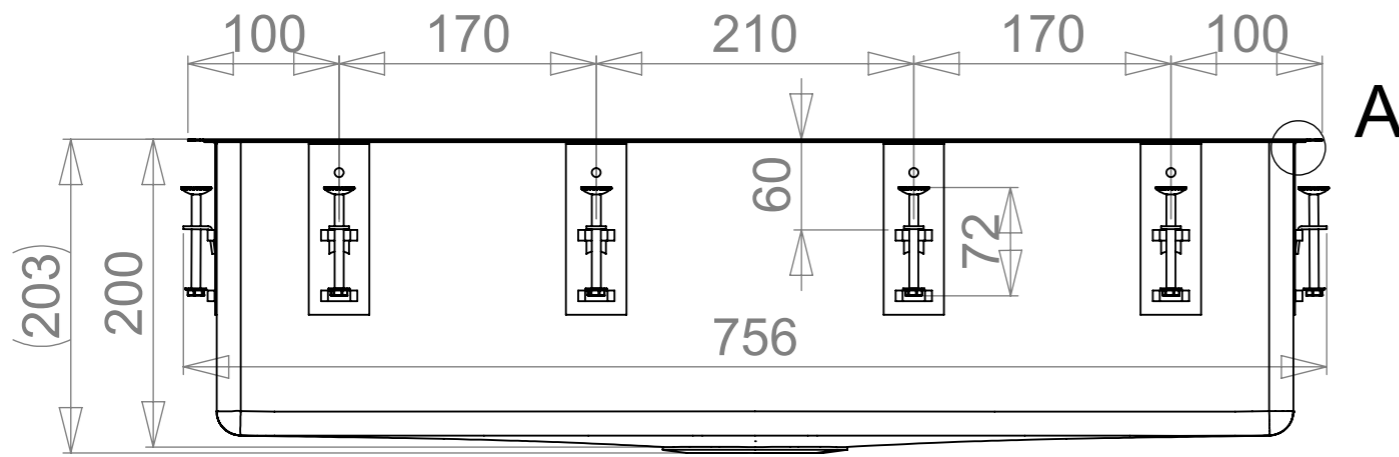


MAIN DIMENSIONS

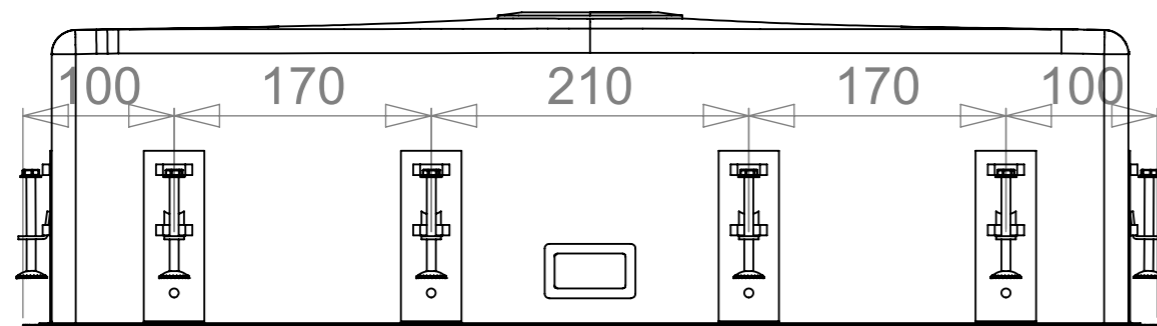
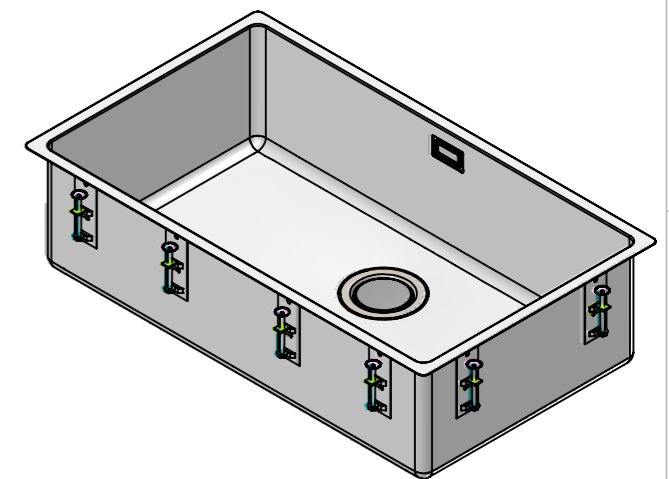
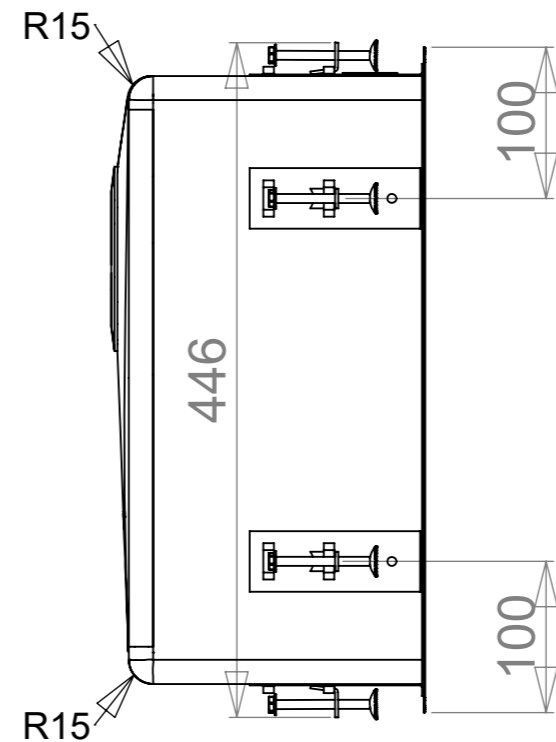
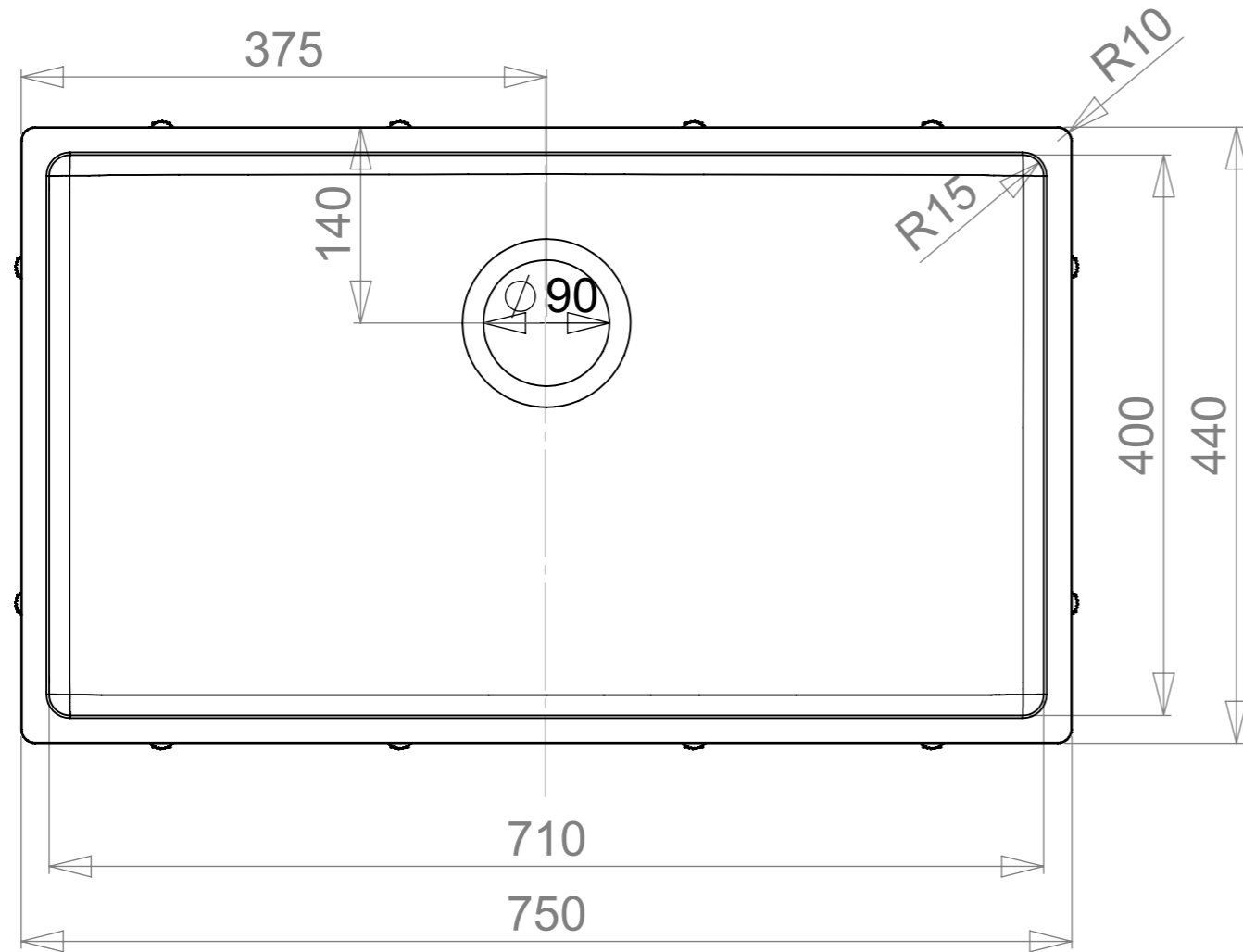
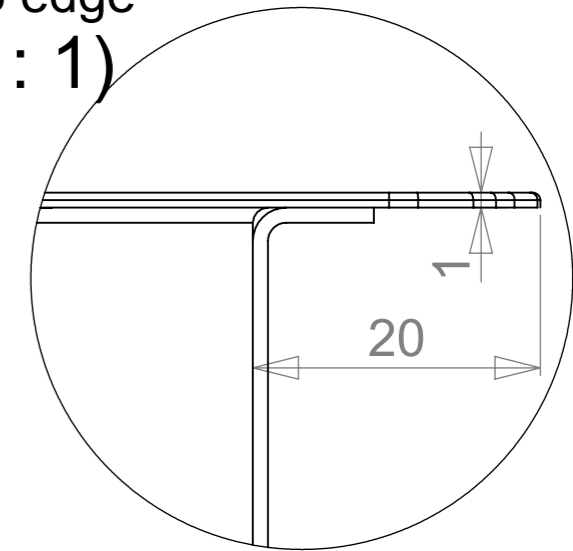
Change description

Date
18.09.2019

Designed by
VS

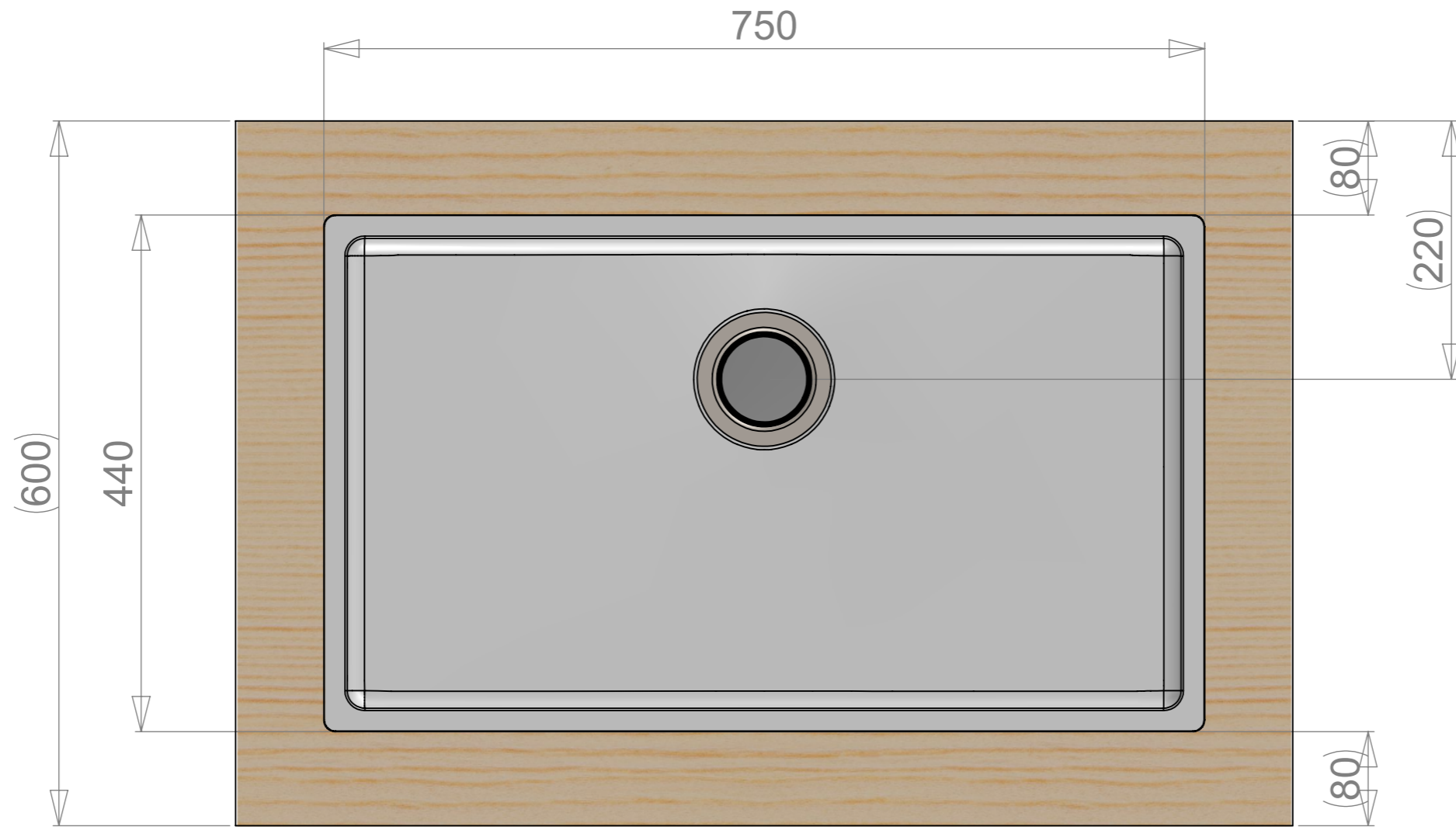


Mono edge
A (2 : 1)



	Mass	kg	General tolerance	Designed by	Date
	Size	A3	Scale	VS	25.01.2019
 www.stala.com		Scale	Item	Checked by	Date
		1:5			
	Description			Drawing number	Sheet/sheets
LAGOM-71			18163	1/6	
Technical Data Sheet				Rev	A

WORKTOP ASSEMBLY



Change description

Date
18.09.2019

Designed by
VS



Mass
kg
Size
A3
Scale
1:5

General tolerance

Item

Designed by
VS

Checked by

Date
25.01.2019

Date

STALA
www.stala.com

Description

LAGOM-71
Technical Data Sheet

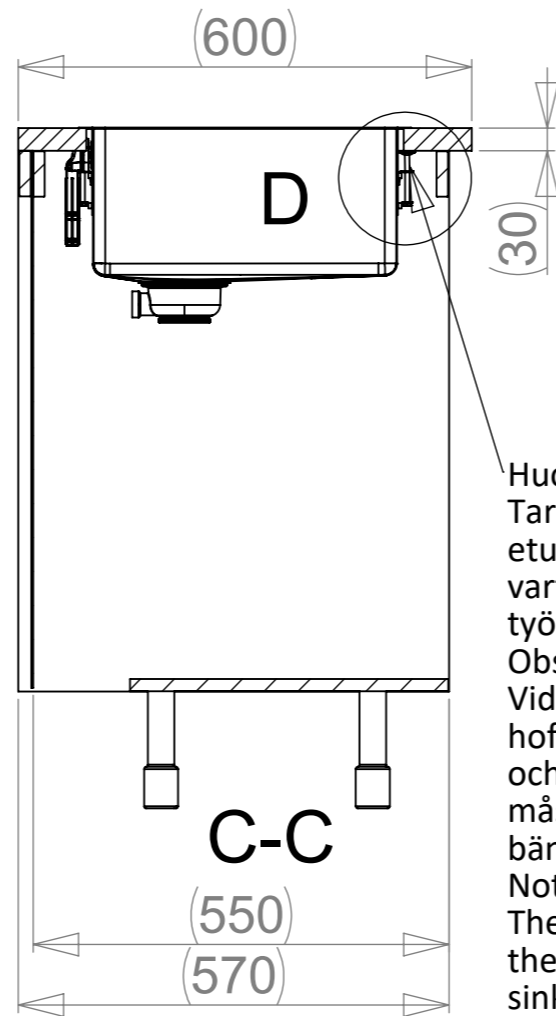
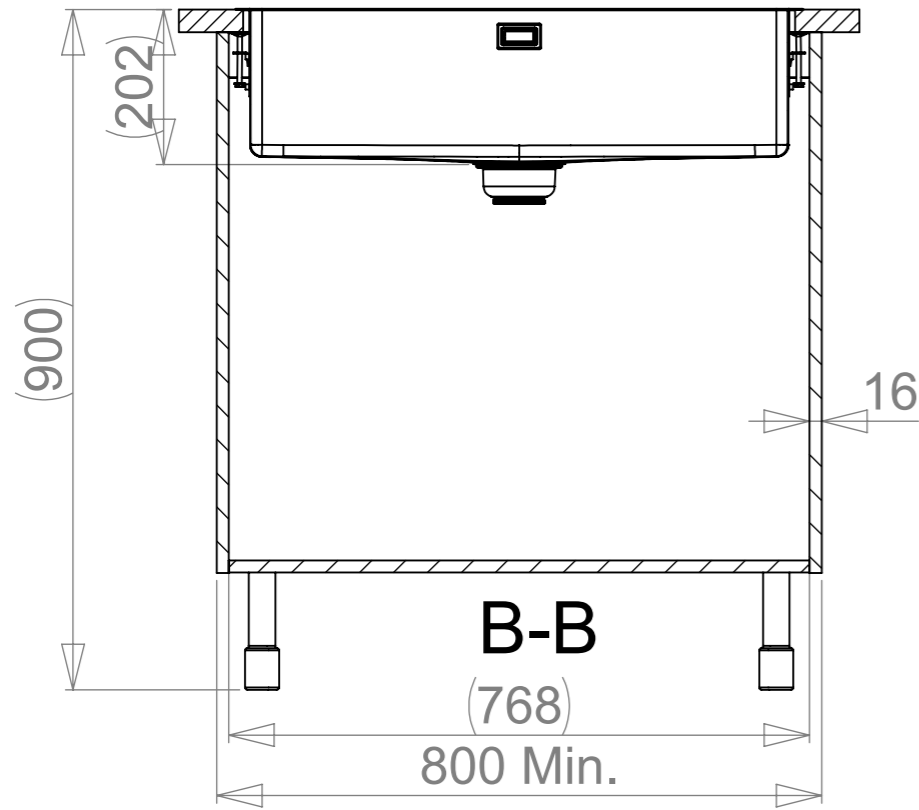
Drawing number

18163

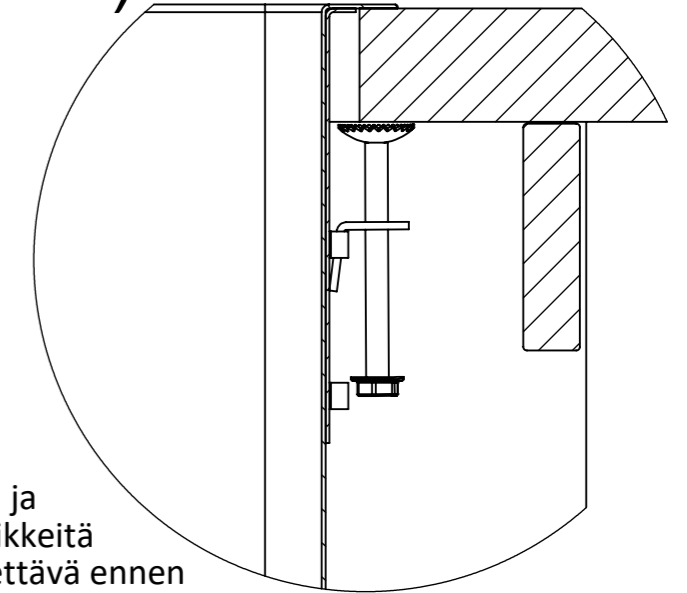
Sheet/sheets
2/6

Rev
A

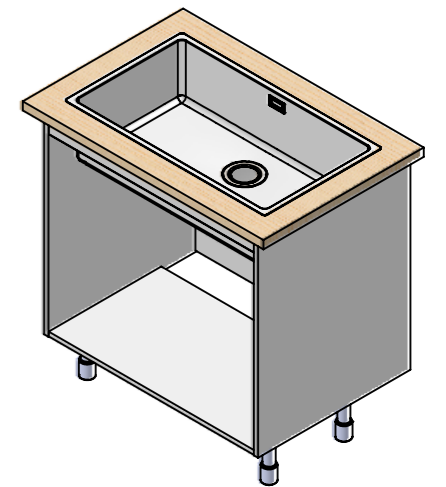
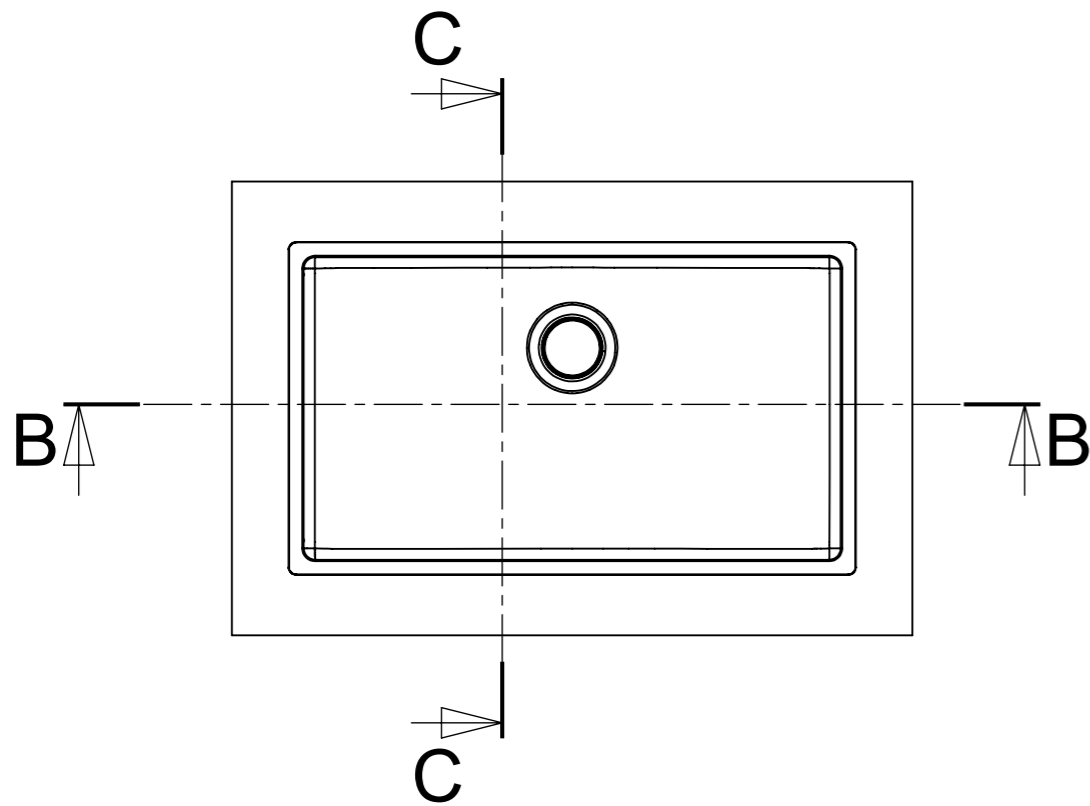
SPACE REQUIREMENTS



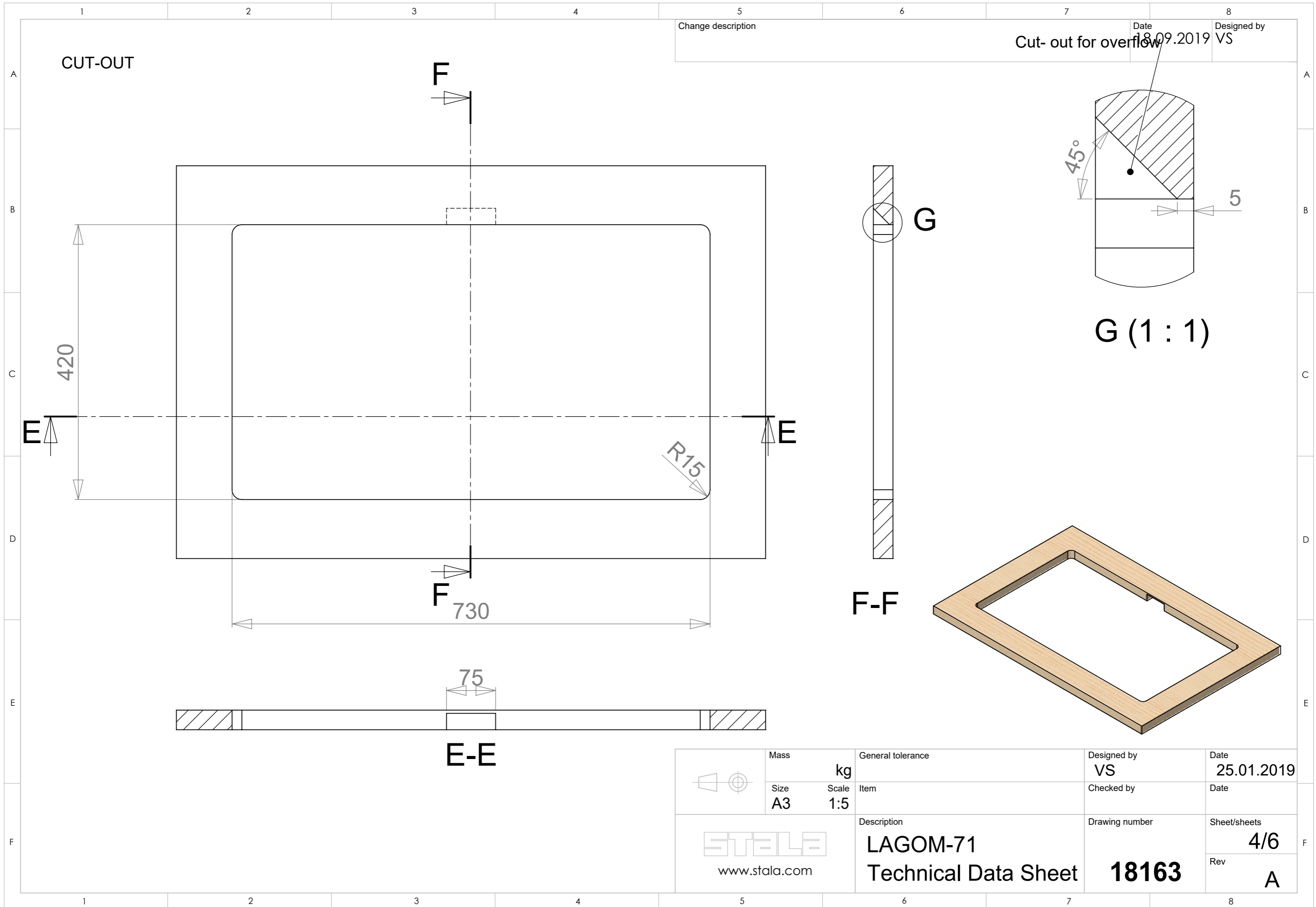
D (1 : 2)



Huom!
Tarvittaessa kaapin väliseinää ja etu/takalistaa lovettava kiinnikkeitä varten ja pesuallas on kiinnitettävä ennen työtason asennusta.
Obs!
Vid behov måste en inskärning för hofästena göras i skåpets mellanvägg och förbindningslist och diskbänken måste fästas innan du monterar bänkskivan.
Notice!
The partition walls and front/back list of the cupboard must be notched for the sink mountings when needed and the sink must be fastened before installing the worktop.



	Mass	General tolerance	Designed by	Date
	kg		VS	25.01.2019
	Size	Scale	Checked by	Date
	A3	1:10		
 www.stala.com	Description		Drawing number	Sheet/sheets
	LAGOM-71 Technical Data Sheet		18163	3/6
			Rev	A



Change description	Date 18.09.2019	Designed by VS
--------------------	--------------------	-------------------

	Mass	General tolerance	Designed by	Date
	kg		VS	25.01.2019
 www.stala.com	Size	Scale	Checked by	Date
	A3	1:5		
Description			Drawing number	Sheet/sheets
LAGOM-71			18163	4/6
Technical Data Sheet			Rev	A

