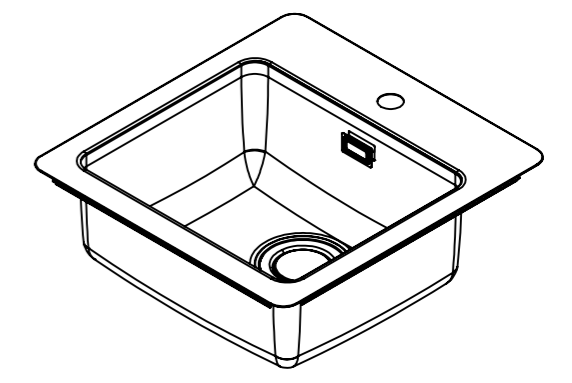
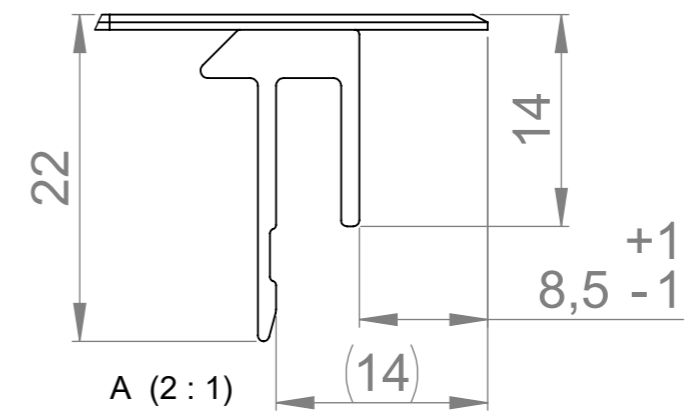
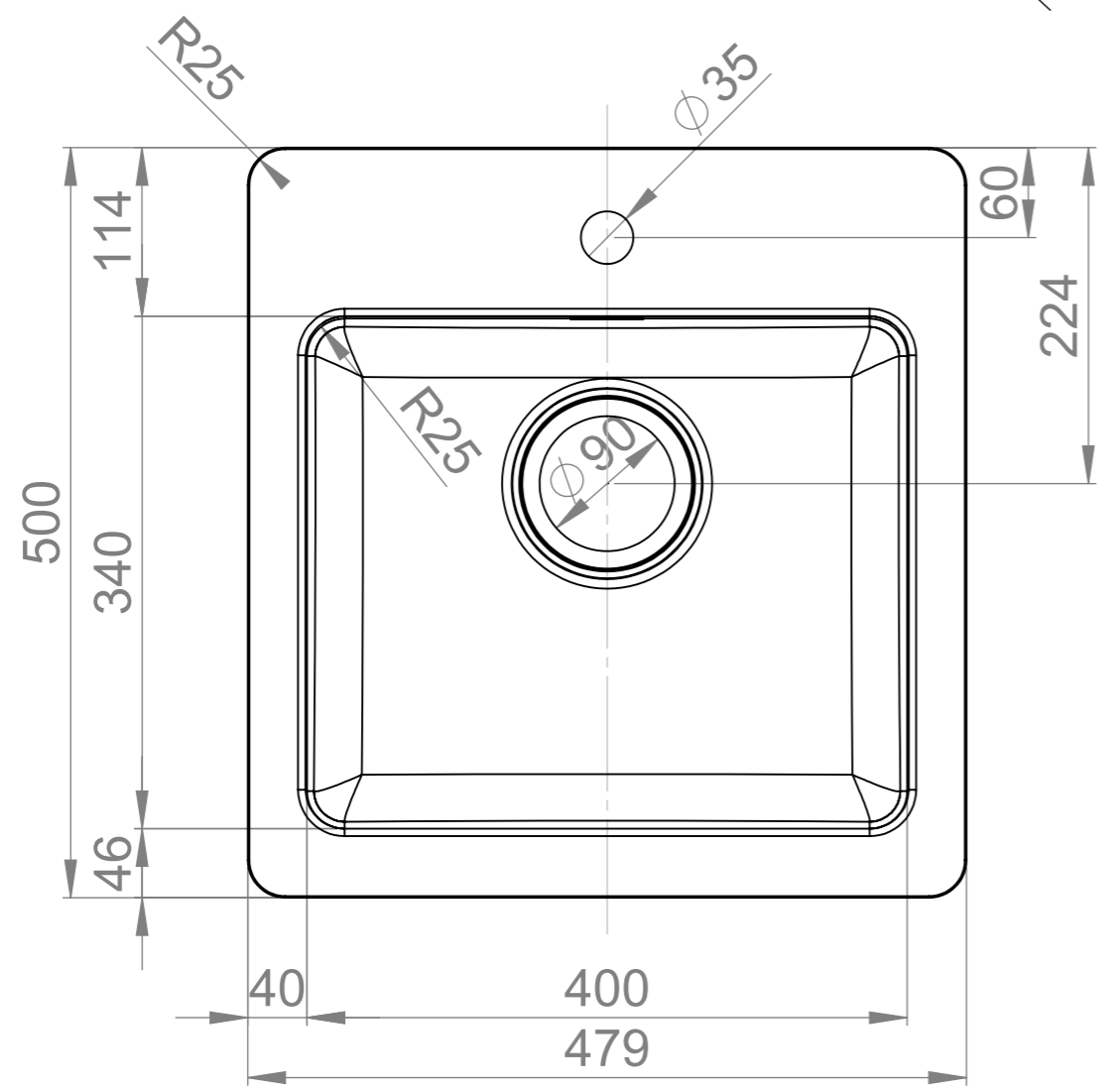
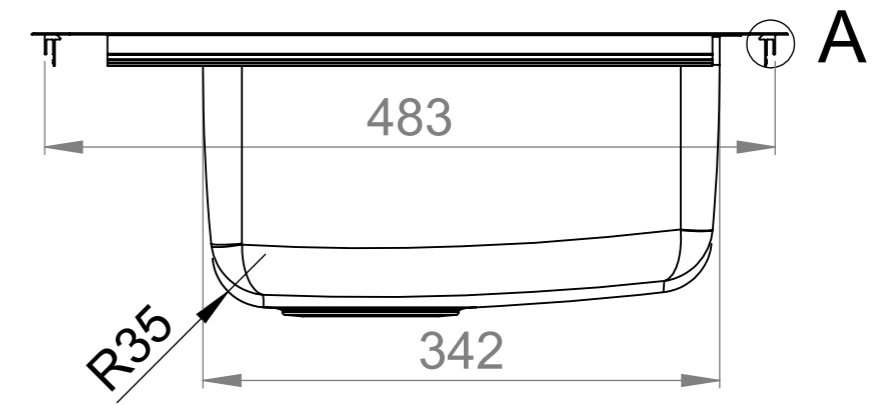
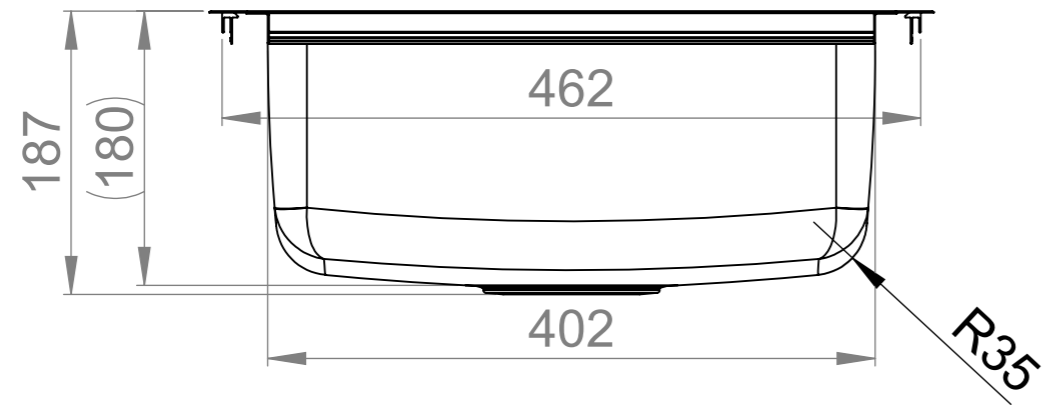
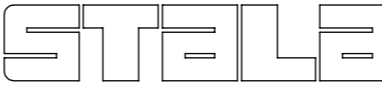


Change description  
Placement of taphole changed

Date  
08.04.2021  
Designed by  
VS

MAIN DIMENSIONS

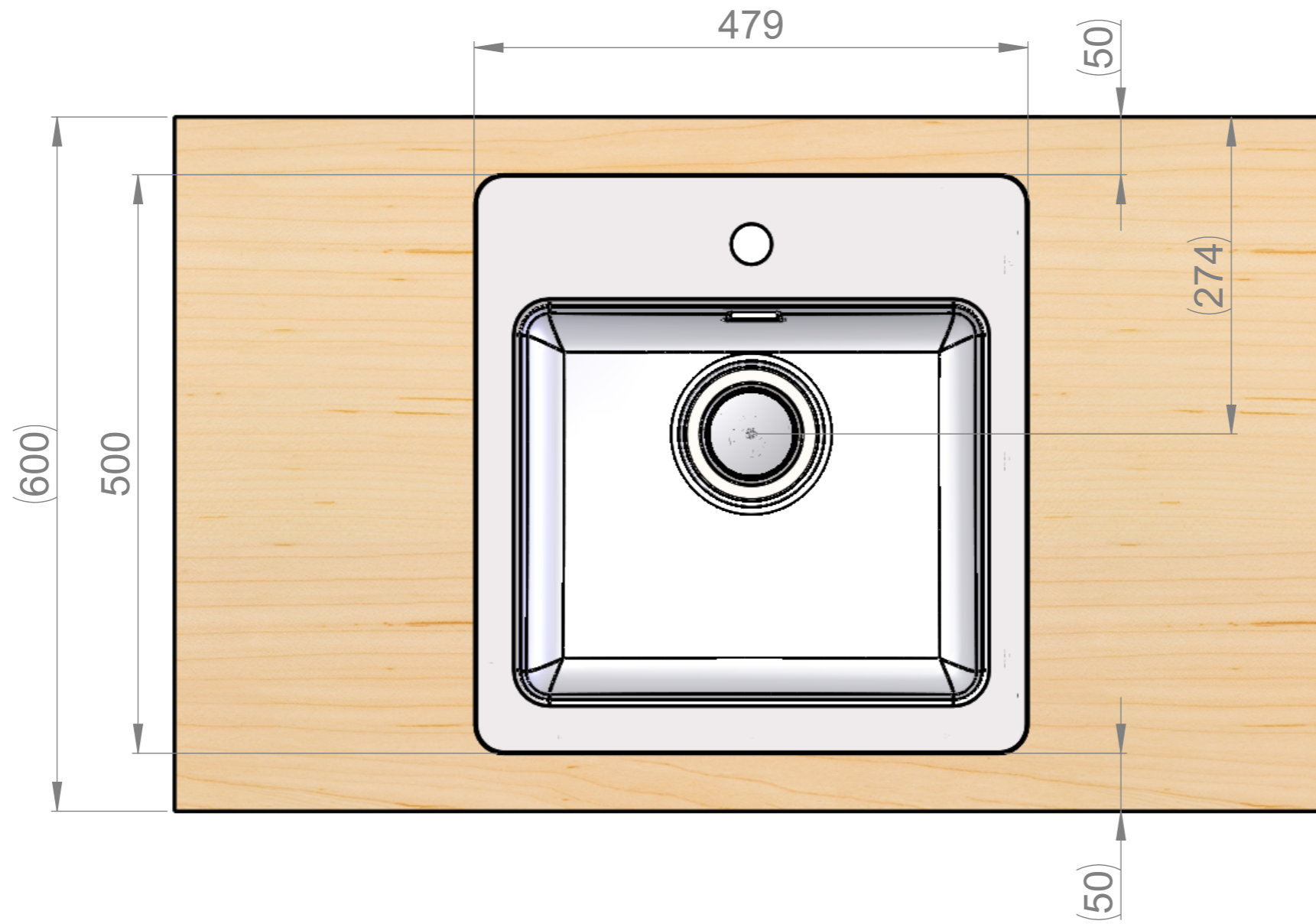


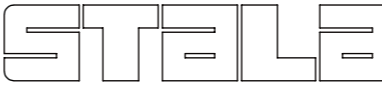

 www.stala.com	General tolerance ISO-2768-m	Designed by TN	Date 21.02.2013
	Size A3	Scale 1:5	Item CES40
Description N40-48 Technical Data Sheet	Drawing number 14087	Sheet/sheets 1/6	Date
	Rev E	Date	Date

WORKTOP ASSEMBLY

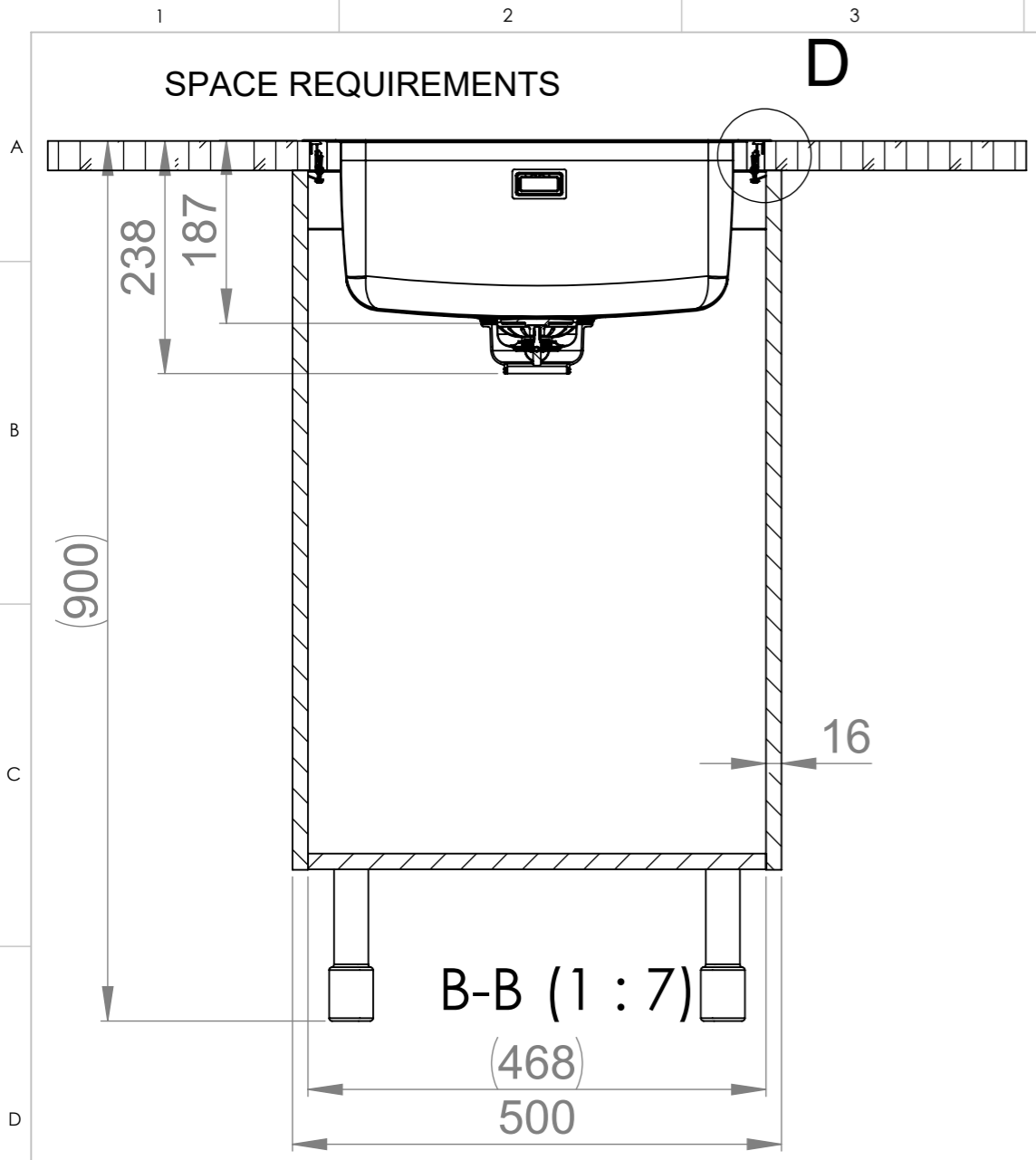
Change description  
Placement of taphole changed

Date  
08.04.2021  
Designed by  
VS



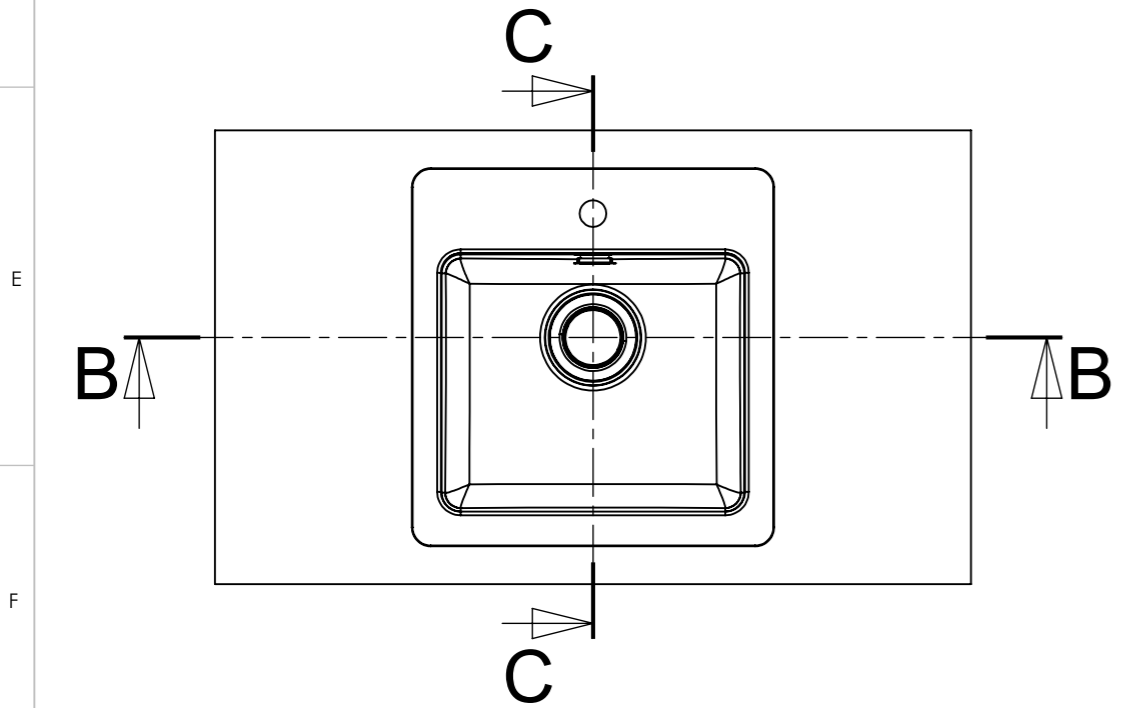
 www.stala.com	 General tolerance <b>ISO-2768-m</b>	Designed by <b>TN</b>	Date <b>21.02.2013</b>
	Size <b>A3</b>	Scale <b>1:5</b>	Approved by
<b>STALA</b> www.stala.com	Item <b>CES40</b>	Drawing number <b>14087</b>	Sheet/sheets <b>2/6</b>
	Description <b>N40-48</b> <b>Technical Data Sheet</b>	<b>14087</b>	Rev <b>E</b>

SPACE REQUIREMENTS



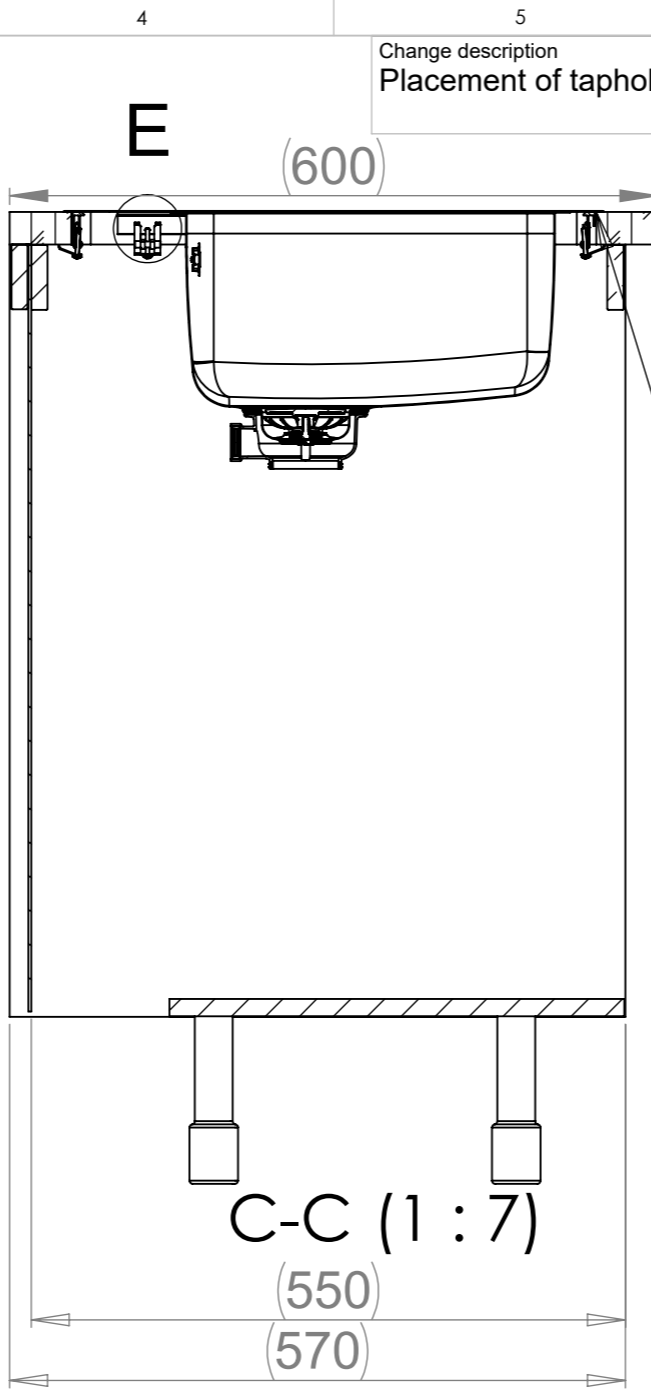
B-B (1 : 7)

(468)  
500



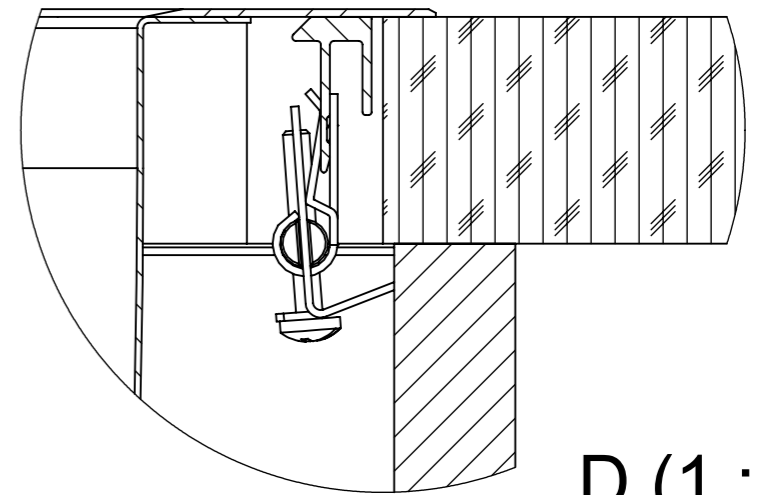
Change description  
Placement of taphole changed

Date  
08.04.2021  
Designed by  
VS



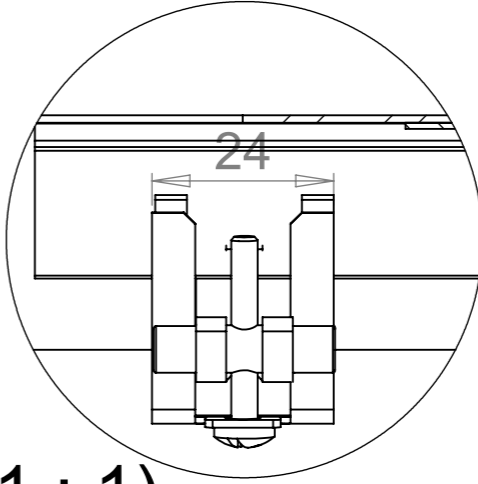
C-C (1 : 7)

(550)  
(570)

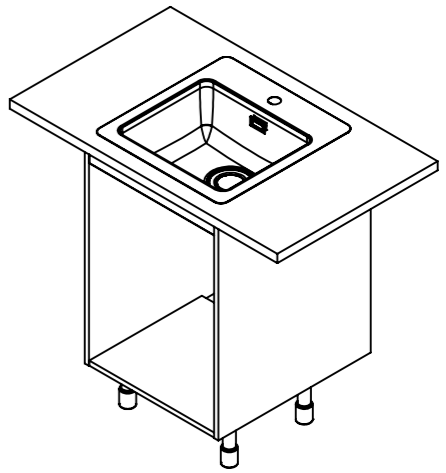


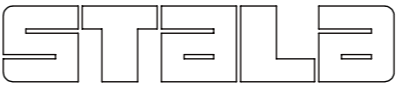
D (1 : 1)

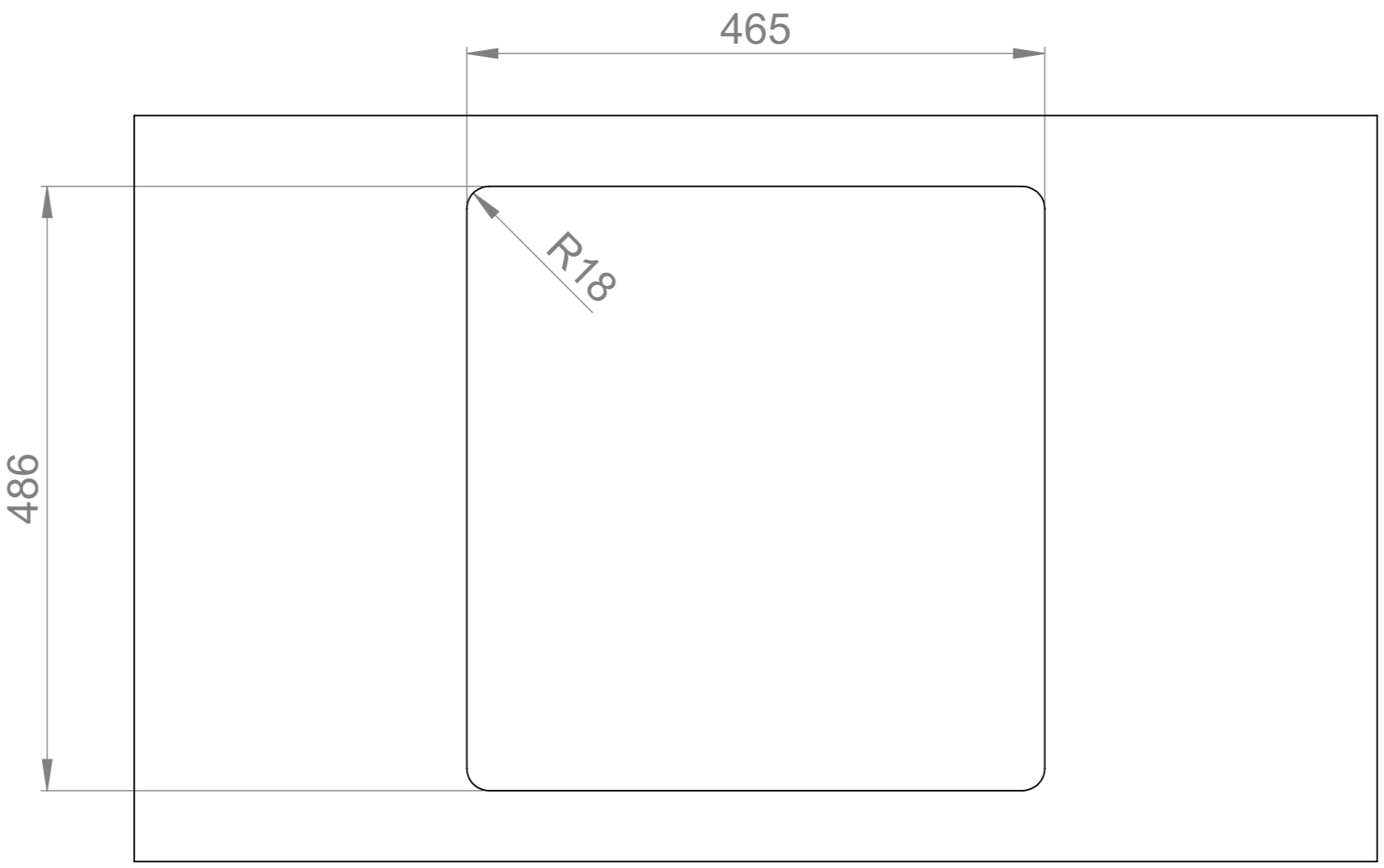
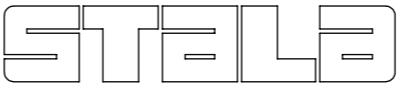
Huom!  
Tarvittaessa kaapin väliseinää ja etu/takalistaa lovettava kiinnikkeitä varten ja pesuallas on kiinnitettävä ennen työtason asennusta.  
Obs!  
Vid behov måste en inskärning för hofästena göras i skåpets mellanvägg och förbindningslist och diskbänken måste fästas innan du monterar bänkskivan.  
Notice!  
The partition walls and front/back list of the cupboard must be notched for the sink mountings when needed and the sink must be fastened before installing the worktop.



E (1 : 1)



 www.stala.com	General tolerance ISO-2768-m	Designed by TN	Date 21.02.2013
	Size A3	Scale 1:10	Approved by
Description N40-48 Technical Data Sheet	Drawing number 14087		Sheet/sheets 3/6
			Rev E

1	2	3	4	5	6	7	8	
<p>CUT-OUT</p> 				Change description Placement of taphole changed			Date 08.04.2021	Designed by VS
								General tolerance ISO-2768-m
				Size A3	Scale 1:1	Item CES40		
				Description N40-48			Drawing number <b>14087</b>	Sheet/sheets <b>4/6</b>
								Technical Data Sheet
1	2	3	4					5

